



Local Power Worldwide

5 year
warranty



LE-300

Designed for industrial applications,
durability and **reliability** are at the
heart of the LE-300



Designed &
manufactured
in the UK

Industrial & residential off-grid





LE-300 Features



Features

High outputs

85W at 8m/s (17.8mph), 300W max

Quiet

Just 6dB(A) above background

Reliable

Precision engineered in the UK with only two moving parts

Rugged

Withstands storm force winds up to 27m/s, 60mph

Light

Weighs just 6.5Kg, reducing the loading on the support structure and making it easy to install in difficult locations

Piece of mind

Industry leading 5-year warranty

Renowned for being quiet thanks to our Whispower™ blade design

This compact and quiet horizontal axis turbine is considered to be the most rugged and reliable small wind turbine in its class. All at an affordable price.

The LE-300 is designed around a unique low inertia axial flux generator which utilises Neodymium rare earth magnetic materials. This alternator has zero 'cogging' which, together with its highly efficient and low 'TSR' Whispower blades, allow the turbine to generate power at very low wind speeds and deliver a higher output than the competition in high wind speeds.

The LE-300 survives winds up to 27m/s (60mph) by means of a simple passive aerodynamic design that reduces turbine RPM and power output at a certain threshold.

The robust aluminium alloy chassis and stainless steel components are protected from the elements with aerospace grade coatings and anodising.



Local Power Worldwide

www.leturbines.com





LE-300 Technical Overview

Rotor diameter - 1 metre

Rotor Type - 3-Blade upwind

Blade Material - Glass Reinforced, UV resistant Nylon

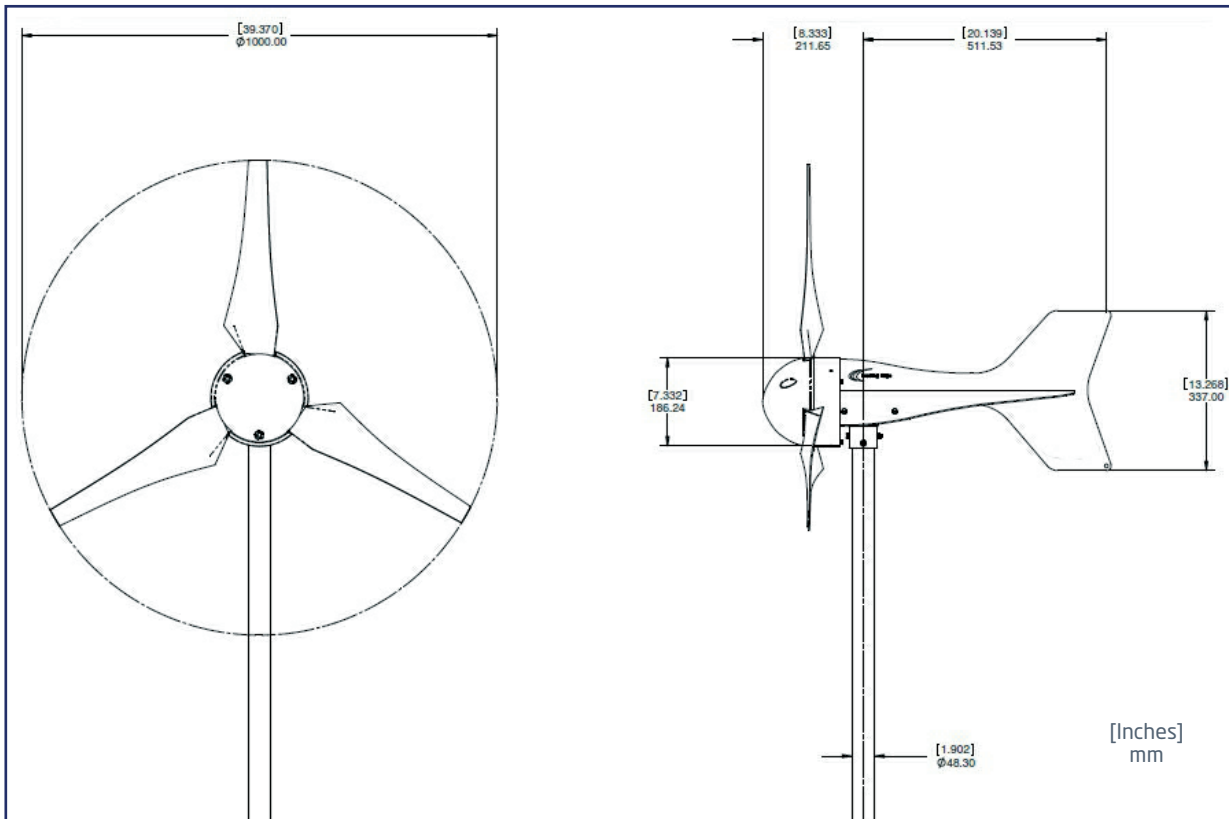
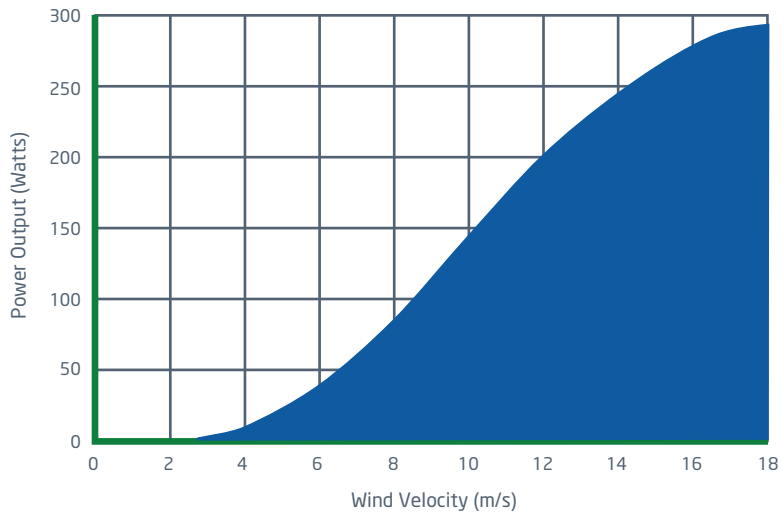
Rated output - 85W at 8m/s (18mph)

Peak output - 300W

Cut-in speed - 3m/s (6.7mph)

Weight - 6.5Kg

DC output voltage - 12V, 24V or 48V



In a typical stand alone system, the turbine sits on a tower (see our Guyed Tower Kit) and is connected to a battery bank via a maintenance (run/stop) switch. A charge controller is used to divert excess power to a dump load when your batteries are full.

The LE-300 is often combined with Solar PV panels in 'power hungry' off-grid renewable energy systems. Both systems are connected directly onto the batteries and each has their own controller.



Local Power Worldwide

www.leturbines.com

Industrial & residential off-grid





LE-300 Applications



- Data communications
- Telemetry
- Security
- LED Lighting systems
- Road signage
- Off-grid residences

Our LE-300 horizontal axis turbine is a quiet and powerful yet lightweight 300 watt wind generator for battery charging applications. It is used extensively in a variety of industrial applications.

Wind turbine performance is subject to many factors. All output data contained in this document is indicative and actual turbine outputs will depend on the prevailing site and installation conditions.

Your local distributor



Leading Edge Turbines
Skyrrid Farm | Pontrilas
Herefordshire | HR2 0BW

Call +44 (0)1981 241668 | Email info@leturbines.com

Copyright © 2016 Leading Edge Turbines

