

LE-600 Turbine

Installation & Operation Guide



1.55m Diameter Micro Wind Turbine for generating clean and renewable electricity anywhere the wind blows...

Leading Edge Turbines Ltd

Contents

Contents.....	2
Read me First	3
Introduction	4
Safety Precautions	5
Mechanical Safety Hazards	5
Electrical Safety Hazards.....	6
Specifications	7
Tools Required For Assembly	8
Mechanical Assembly Procedure.....	9
Electrical Installation.....	16
Fig-12: Typical ‘Stand-Alone’ Battery Charging Wiring Diagram	18
Fig-13: Typical ‘Hybrid’ Wind /PV System Wiring Diagram	19
Turbine Operation	20
Maintenance	21
<i>Post-installation Checks (to be carried out one month after installation):</i>	21
<i>Annual Maintenance:</i>	21
<i>After Five years of normal operation:</i>	21
<i>Other Considerations:</i>	21
Spares.....	22
Warranty.....	23
Disclaimer	24
Appendix 1: Tristar 45A Diversion Charge Controller relevant extracts	25
Appendix 2: Run / Stop Switch User Manual.....	44
Appendix 3: Turbine Site Selection	46

Warranty Registration

Please register your product with us so that we can administer your warranty entitlement.

Please register at www.leturbines.com/support/warranty-registration/

Customers are required to keep an original copy of their invoice should questions arise requiring reference to purchase information.

Read this first

Don't connect the wind turbine in the wrong polarity

Make sure you connect the +ve of the turbine to the +ve of the battery (red to red) and the -ve of the turbine to the -ve of the battery (black to black). Failing to do so will damage the equipment and invalidate your warranty.

Don't connect the Diversion Charge Controller in series with the turbine

Always ensure that the turbine and the controller are connected to the battery separately. Failing to do so will damage the equipment and invalidate your warranty.

Don't allow the turbine to run without being connected to the battery

Failing to do so will result in the turbine freewheeling causing premature wear and tear and unnatural blade noise.

The Tristar charge controller must be configured for Diversion mode

Failing to do so will invalid your warranty as this can burn out the stator.



<http://youtube.com/c/LeadingEdgeTurbines>

Visit our YouTube channel for assistance in wiring up the equipment, configuring the Tristar charge controller and more.

Introduction

Please read this manual thoroughly before attempting to assemble, install or operate your *LE-600* small wind turbine. This will assure optimum performance and safety.

Leading Edge Turbines have spent many years developing the ideas and technology behind your turbine. The *LE-600 turbine* features an array of innovations and construction techniques as well as heavy-duty engineering to ensure optimum efficiency and a long operating life.

The *LE-600* has been designed to be simple, economic, durable and yield excellent performance.

Your *LE-600 turbine* features:

- Innovatively designed axial flux alternator, using neodymium iron boron magnets
- A laser-cut, aluminium chassis using 'Yaw-wing' design to ensure responsive yawing
- Maintenance-free, low friction bearing arrangements
- Extremely quiet injection moulded blades with 'Whisper' geometry and aerofoil design
- Long-life yaw pivot slip-rings and wipers
- Easy tower-top installation
- Simple design for low cost and longevity
- Fully marinised using stainless steel fixings and anodised aluminium components
- Low mass to help reduce exerted forces and ensure easy installation
- Lightweight aluminium design.

The *LE-600* has been developed for both land-based and coastal environments (but not for sea-based applications). Thanks to its unique design, the *LE-600* is not susceptible to corrosion in normal or salt water operating conditions.

Applications include:

- Remote Homes / Caravans
- Street lighting and road signage
- Complementary installation with photovoltaic modules for home power
- Farm utilities (electric fencing, irrigation, etc.)
- Wind-electric water pumping
- Cathodic protection
- Monitoring sites
- Telecommunications
- The Developing World

Safety Precautions

Safety must always be your primary concern during the assembly, installation and operation of your *LE-600 turbine*. Always be aware of the risks involved with mechanical and electrical installation work. If in doubt about any issue regarding your turbine, please seek further assistance before proceeding. Installation of the LE-600 turbine should only be undertaken by suitably competent and qualified personnel.

Mechanical Safety Hazards

- The main rotor is the most obvious and serious mechanical safety risk. When the turbine is operating at its rated performance, the blades will be very difficult to see due to the speed of rotation. Never approach the turbine whilst it is operating. Always shut down the turbine by activating the stop switch. **Ensure that the turbine is installed in a suitable position where nobody can approach or interfere with the path of the rotor blades.**
- Working with tools of any kind can be dangerous. Your *LE-600 turbine* requires some basic mechanical assembly with rudimentary hand tools. If you are in any doubt about how to use these tools correctly, please seek advice from a suitably experienced person.
- Your *LE-600 turbine* will inevitably be installed upon a tower or other support mount. This may mean working at height. Always ensure that all personnel in the immediate vicinity are aware of any lifting / hoisting operations that will be occurring. Check there are no loose components or tools likely to fall and cause injury during the lifting operation. Where possible, all assembly work should be completed at ground level. In the case of roof mount brackets, a suitable fitter should carry out the installation with the appropriate equipment for working at height.
- Ensure that the batteries are disconnected during the installation procedure.
- Twist the turbine output cables together (to create a short circuit) during the mechanical installation process. This will prevent the turbine from 'spinning up' during the installation.
- Never install the turbine upside down or in any orientation other than that depicted on the installation instructions.
- Install your turbine during a calm day.
- When performing routine inspection or maintenance, always stop the turbine by activating the stop switch.

Electrical Safety Hazards

- The *LE-600* generates 3-Phase AC voltage from the turbine head and rectified DC voltage from the rectifier box. Even at low voltages there are inherent risks. Caution should always be used when connecting *LE-600* to the electrical system.
- Ensure that you have followed the cable-sizing chart to ensure that the correct size of transmission cable has been selected. If a cable of insufficient cross-sectional area is used, heat may build up in the cables causing a potential fire hazard. A properly sized fuse or circuit breaker should be used in the cables connected to the battery. This will stop the risk of short circuit currents. Using cables of insufficient cross-sectional area may also reduce the power transmission efficiency of the turbine.
- Batteries systems can deliver a serious amount of current. A short circuit in the battery circuit can lead to hundreds of amps flowing through the battery cables. This will cause a heat build-up and ultimately an electrical fire. Batteries can explode when shorted. Always use insulated electrical tools when working on the battery's electrical connections.
- Batteries are very heavy. Do not attempt to move batteries by yourself. Always use manual handling tools and an assistant.
- Always keep lead-acid batteries the correct way up. Do not allow the acidic electrolyte to spill or come into contact with your skin or face. Always follow the manufacturer's safety instructions when handling lead-acid batteries.
- Never run the LE-600 'off-load' with the output cables not connected to anything.

Please use common sense when installing and operating your turbine!

Specifications

Turbine Name: *LE-600 Turbine*
 Part Number: GA-LETU-009
 Nominal Voltage: 12V / 24V / 48V

Rotor Diameter: 1540 mm
 Rated Wind Velocity: 8 m/s
 Rated Output: 160 Watts
 Max Output: 750 Watts (900 Watts in certain applications)
 Rated RPM: 550
 Start-up Wind Velocity: 2 m/s
 Total weight: 19.5 Kg
 Tower mount: 60.3/50.0 mm Outer Diameter Tube x 3 / 4 mm Wall
 Chassis Construction: Aluminium
 Rotor Blades (3-off): Glass Reinforced Nylon



Fig-1: Diametric View

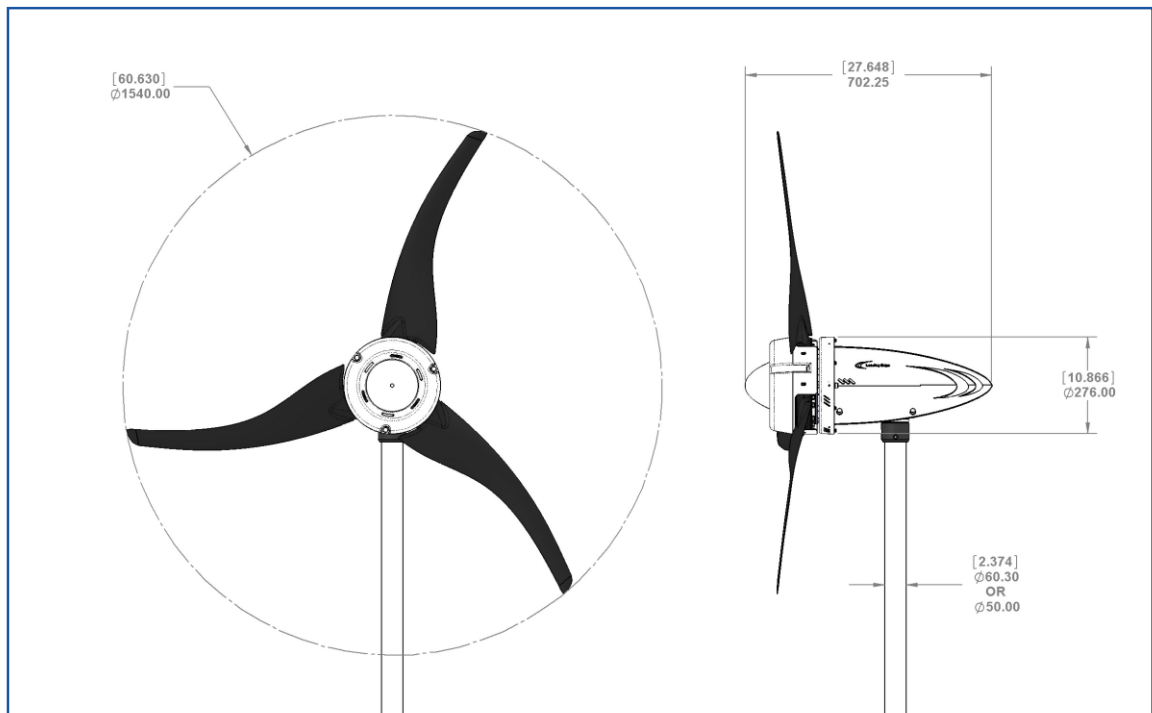


Fig 2: Operating Envelope

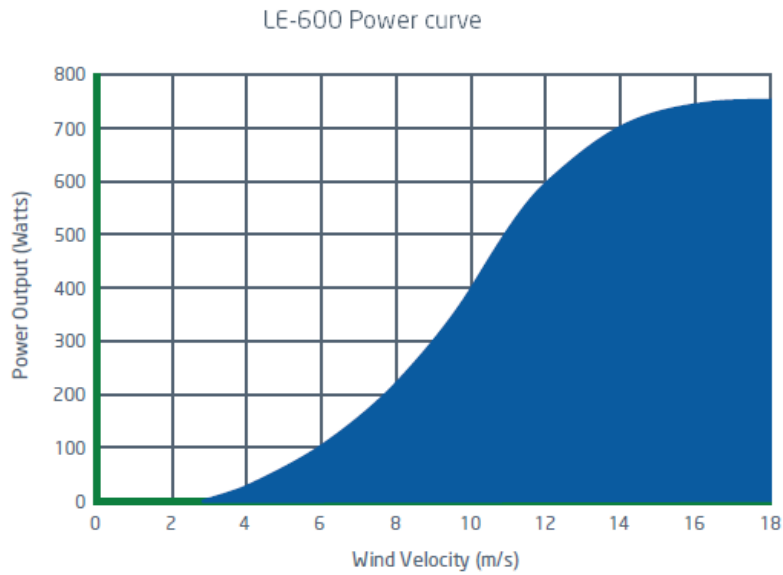


Fig 3: Power output

Package Contents

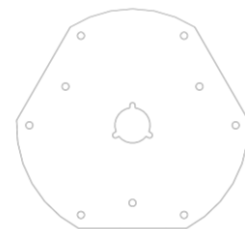
Your *LE-600 Turbine* will arrive containing the components shown below. If any of the components are missing or damaged, please contact your dealer immediately.



LE-600 Chassis: Qty 1



Rotor Blade: Qty 3



Hub Plate: Qty 1



Nose Cone: Qty 1



User Manual: Qty 1

- 3 x M6 x16 Cap Heads
- 9 x M8 x60 Hex Heads
- 3 x M6 Washers
- 12x M8 Nylock Nuts
- 18 x M8 Washers
- 3x M8 x12lg Cap Head
- 2x M6 x75C/sunk
- 1x Rectifier

Fixings Bag: Qty 1

Tools Required For Assembly

You will require the following tools to assemble your *LE-600 Turbine*:

- 10mm A/F spanner & 10 mm ratchet (one of each required)
- 13mm A/F spanner & 13 mm ratchet (one of each required)
- A Set of Metric Standard Hexagon Keys
- Electrical screw drivers
- Power drill
- 6.5 mm & 3.0 mm diameter twist drill bit, suitable for drilling through steel
- Digital multi-meter capable of measuring DC & AC Volts
- Tape measure or steel rule
- Thread-locking compound (Loctite 243 or similar)

Mechanical Assembly Procedure

- 1) **Unpacking** - Inspect the contents of the box and ensure that all items are present and free from damage. If any of the components are missing or damaged, please contact your dealer immediately.
- 2) **Check Magnet Rotor & Continuity** - Ensure that the main shaft is free turning and does not scrape or rub as it rotates - see Fig-4. You may feel a slight resistance from the bearings at this stage. The bearing units used in the magnet rotor assembly are factory lubricated and sealed for life. It will take approximately 100 hours of normal operation for the bearing seals to 'bed-in' and the lubrication to be distributed correctly around the raceways and ball cages. During this period you may notice a reduced performance caused by the additional friction of the bearing seals. In operating temperatures of -10 degrees Centigrade or lower, this 'bedding-in' period will be extended by a further 50 hours of normal operation. Connect a digital multi-meter to any two of the three output leads extending from the yaw pivot. With the multi-meter set to detect AC Volts (0-20V), a voltage should be displayed when the magnet rotor is spun. This voltage will vary with the speed of rotation. If the magnet rotor rubs, or no voltage is detected whilst turning the magnet rotor, please contact your dealer immediately.

Warning: The magnet rotor within your *LE-600 Turbine* is constructed using neodymium iron boron rare earth magnets which are semi-exposed until the turbine is fully assembled. These are extremely powerful magnets and can cause injury if not handled with respect. Take care when working with tools made of ferrous materials (such as spanners and screwdrivers) close to LE-600 alternator. The magnetic forces between ferrous materials and the magnet rotor within the alternator may be very strong. This may cause a sudden snapping action that can pinch or trap your fingers or skin.

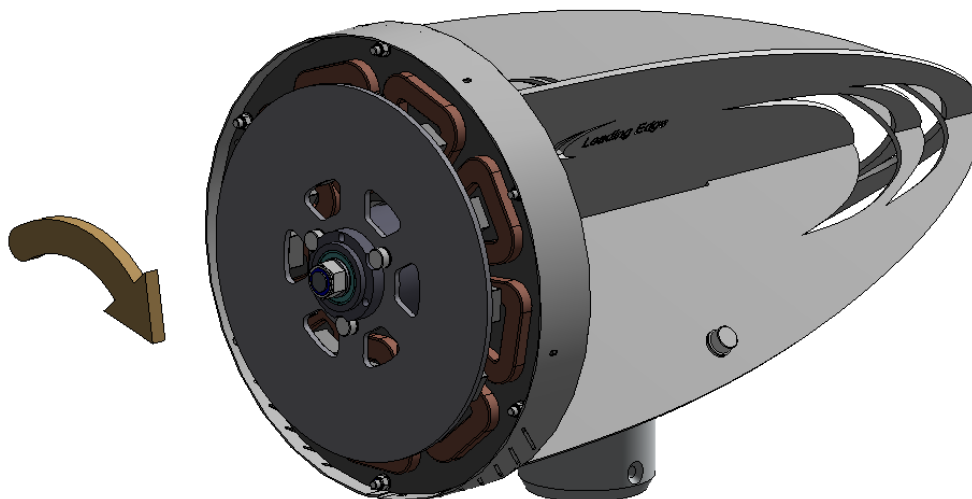


Fig 4: Checking magnet rotor rotation and coil-disc continuity

- 3) **Rotor Blade Assembly** - Take the three rotor blades and rotor hub plate. Be careful when handling the blades, they have **VERY SHARP EDGES**. Use a 13 mm A/F socket and hexagon key and three M8 x 60mm long set screws to attach each blade to the hub plate - see Fig-5. Ensure that the cap head end of the screw is on the rotor hub plate side (thus allowing the washers and nuts to locate inside of the blades. The blades should all be fixed to the hub plate on the same side, with the blades in the same orientation. It is important that a washer is used underneath the anti-vibration nuts. 3 set-screws, 3 washers and 3 anti-vibration nuts should be used on each blade. Tighten the fixings until the blades are safely secured. Do not over-tighten the nuts as this may damage the blades and fixings.

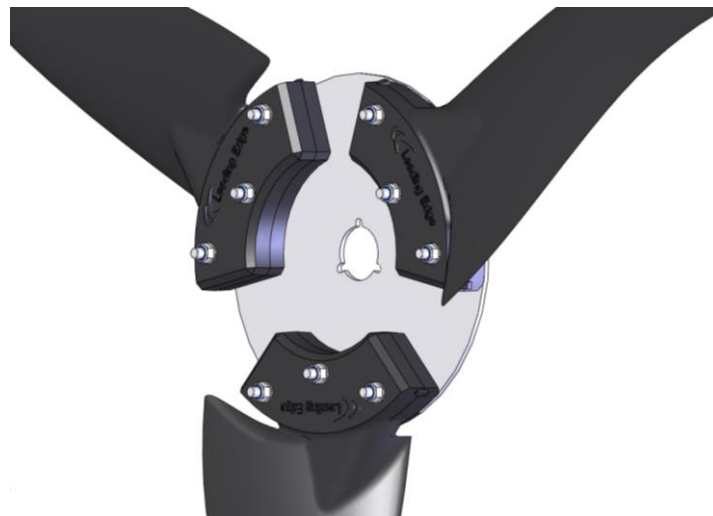


Fig 5: Attaching the 3 rotor blades to the hub plate

- 4) **Check the Tip Spacing** - Although the turbine blades are fitted with location 'keyways', it is important to check the tip spacing. Lay the assembled rotor blade on a flat surface. Using a tape measure or long steel rule ensure that the spacing between each tip is equal to within a tolerance of ± 1.5 mm. Adjust the blades as required. Output performance may suffer if the blades are inaccurately set - see Fig-6.

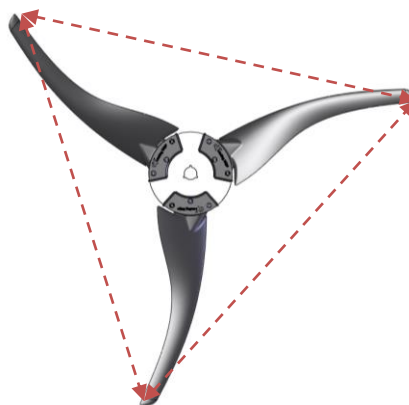


Fig 6: Checking tip spacing

NOTE: Depending on the type of support structure being utilised for the LE-600, it is sometimes advisable to fit the main rotor set to the turbine chassis at this stage. However in other circumstances it will be easier to fit the turbine chassis to the support structure before fitting the main rotor set. The installer must use judgement as to the best order in which to fit the turbine together, depending on the merits of the installation and therefore the remaining installation steps maybe completed in an alternative sequence.

- 5) **Fit the Rotor Blade Assembly** - This is done by offering the rotor hub plate against the drive hub protruding from the front of the chassis. M6 x 16 long cap head screws should then be used to fix the rotor hub in position using the three unused tapped holes in the drive shaft. Ensure that all 3 screws are securely tightened and that the rotor blades are fitted with the flat side of the blade facing towards the magnet rotor. Thread-locking compound should be used on the screw threads.

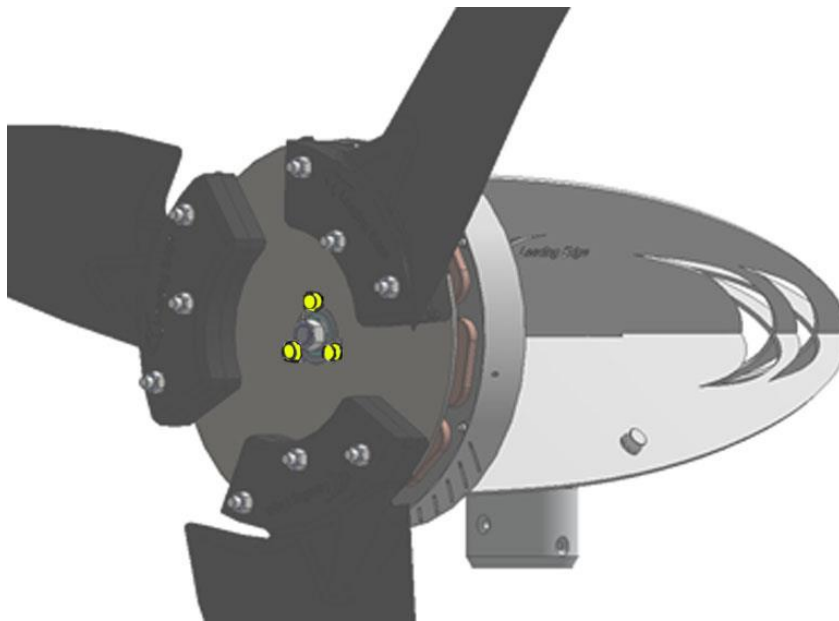


Fig 7: Fitting the rotor blades to the chassis

- 6) **Check the blade rotation** - Once the blades have been fitted and secured to the chassis, ensure that they rotate freely. Take this opportunity to check that all of the blade and hub fixings are secure - see Fig-8.

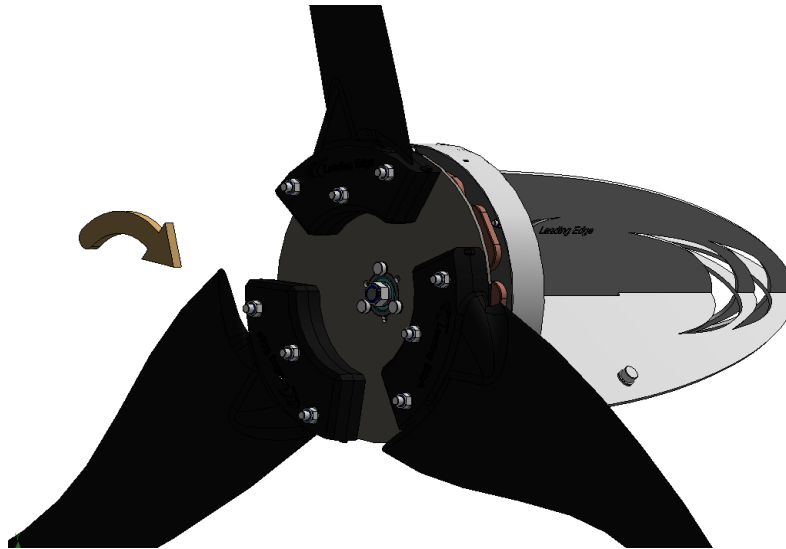


Fig 8: Check blade rotation

- 7) **Fit the nose cone** – Do not over-tighten nose cone bolts as the nose cone is a plastic part and is liable to crack if over-tightened.

The nose cone can now be fitted to the rotor. This is done by aligning the mounting slots of the nose cone with the corresponding 'barbs' on the rotor blades. Once the nose cone is fitted correctly over the blades and runs concentrically, fix it in position using Qty 3 M8 x 12lg Cap head screws using Loctite. The screws enter through the mount holes in the nose cone and align with the 3 tapped holes in the hub plate. Ensure that the nose cone is secure and true before finally tightening the fixings.

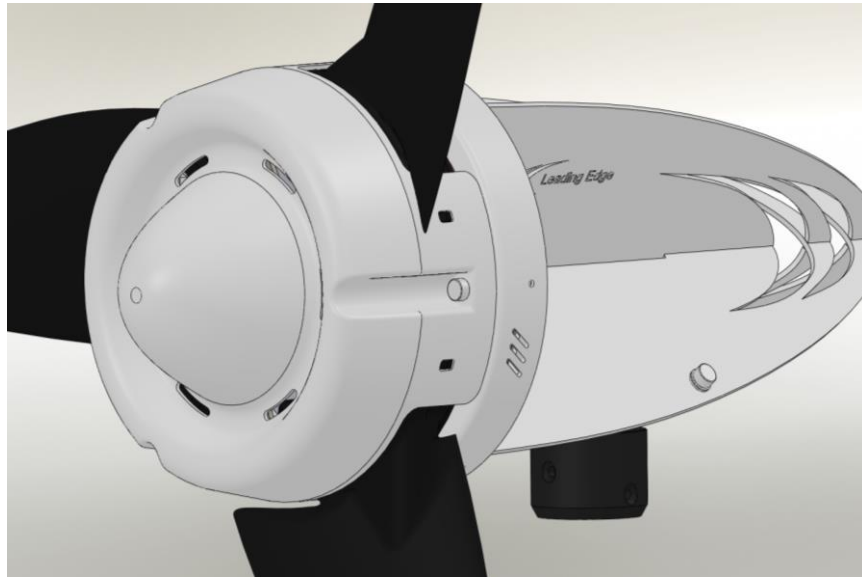


Fig 9: Attach the nose cone

- 8) **Prepare the Turbine Mount** - If you have purchased a LE-600 mount bracket or tower from a *Leading Edge Turbines'* dealer, then please refer to the separate installation instructions supplied with the product. If you have sourced your own tower / mount bracket, 7 mm diameter holes will need to be drilled in order to secure the turbine. These holes should be drilled 14 mm and 29 mm from the top of the tower / mount bracket and should be perpendicular to the surface and skewed by 90 degrees. The hole should penetrate both sides and cross the centre line of the tubular section - see Fig-10.

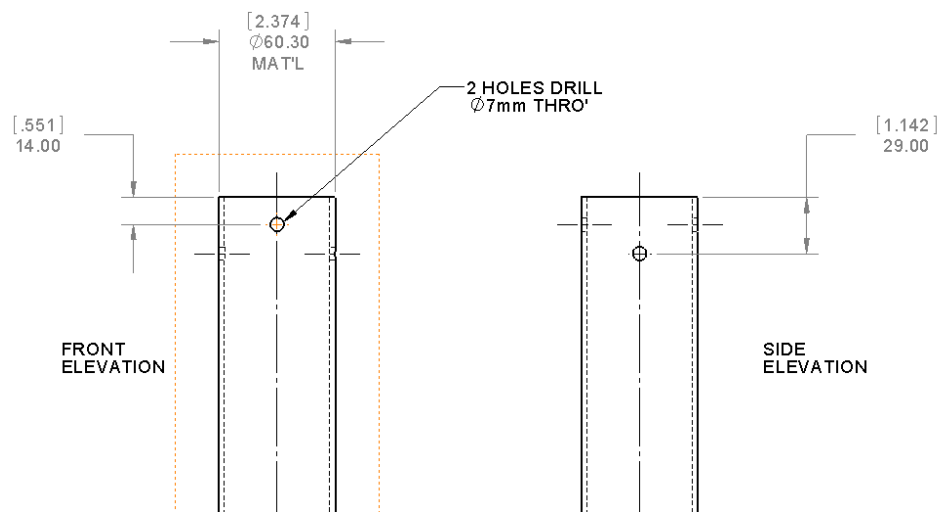


Fig 10: Drill through top of tower / mount bracket

- 9) **Install the Transmission Cables** - When your tower or mount bracket is ready to receive its turbine, the next stage is to run the cables from the top of the tower to where the rectifier box / electrical controller and batteries / grid-tie inverter will be located. Follow the table below to select the correct wire size (cross-sectional area). This will vary depending on your nominal battery voltage and the distance that the cables will be run. Careful selection of the cable size is required. It will not only affect the safety of the system, but also the overall efficiency. A cable of insufficient cable size will cause a voltage drop, wasting the power that has been generated. The cable sizes listed below have been selected with efficiency and cost in mind, as it is unlikely that your turbine will be running at full capacity 100% of the time. If in doubt, consult your local electrical supplier. The cable should be installed in accordance with local electrical regulations and guidelines. If in doubt, use a local electrical contractor to complete the cable installation.

Warning: If a cable of insufficient cross-sectional area is used, heat will build up in the cables causing a potential fire hazard. Cable capacities quoted below are based upon 'Tri-Rated' cables (BS6231).

LE-600 Nominal Output Voltage	Transmission Distance		
	10 Metres	25 Metres	50 Metres
12 Volts	16 mm ² (3-Core)	25 mm ² (3-Core)	50 mm ² (3-Core)
24 Volts	4 mm ² (3-Core)	10 mm ² (3-Core)	16 mm ² (3-Core)
48 Volts	1.5 mm ² (3-Core)	2.5 mm ² (3-Core)	4 mm ² (3-Core)

- 10) **Mount the LE-600 Turbine onto the Support Structure** - Ensure that the previously installed power transmission cables are not yet connected to any batteries and are 'shorted' together. This will prevent the turbine from operating during the installation process. Once this has been done, connect the turbine output cables to the transmission cables using a suitable terminal block with a minimum rating of 75 Amps (12V), 40 Amps (24V), 25 Amps (48V). Offer the turbine up to the support structure and push the turbine body onto the tower. Ensure that no cables are snagged. Use the M6 x 75 countersunk set-screws along with washers and thread-locking compound to secure the turbine using the holes previously drilled in the support structure - see Fig-11. Ensure that the M6 set-screws are securely fastened.



Fig 11: Fitting the turbine onto the support structure

Electrical Installation

Please refer to Figs 12 - 14 for appropriate generic wiring diagrams. In a battery charging renewable energy system, there may be different ways of wiring small wind turbines, photovoltaic panels, charge controllers and batteries together. This type of system will often expand 'organically', but the following guidelines should be followed:

- **Follow the appropriate electrical code** - The electrical wiring of your *LE-600* turbine and associated electrical systems must be done in accordance with national and local electrical codes and regulations.
- **Do not connect the turbine or batteries during the installation** - Ensure that the turbine is not running or connected to the batteries during the installation or wiring process. Connect the output cables of the turbine together to prevent the rotor from starting up.
- **Galvanic corrosion of electrical joints** - Try to avoid connections between dissimilar metals. For example, connecting copper and aluminium together will result in galvanic corrosion of the connection. This will increase the electrical resistance of the connection (wasting energy), and reduce the mechanical integrity of the joint. Where possible, use a fluxed solder to make electrical joints.
- **Protect the cables** - The power transmission cables must be protected from mechanical damage and fatigue. Run the cables through an approved conduit / trunking.
- **Cable strain relief** - Prevent mechanical strain on the transmission cables running down the tower from the turbine. Clip the cables to the inside of the tower. Failure to do this will result in excessive mechanical strain on the cable joints within the slip-ring assembly and may cause a failure. Cable ties or cable glands are a good way to prevent mechanical strain on the cables.
- **'Earth' the System** - The turbine tower should have its own separate earth point. The negative terminal of the battery bank should also be earthed. This provides protection against the build-up of static and lightning strikes. The tower should be earthed separately with its own ground rod if there is a long transmission distance between the tower and batteries. An appropriate surge arrestor could also be used to help prevent damage to the battery charging system during a lightning strike. Ensure that the earth cables are of the same rating as the positive and negative cables.
- **Cable Selection** - The cable size table should be used to select the minimum sized cable for a given transmission distance. Voltage drop in the cable will be improved if a larger cable is used. We recommend using 'Tri-Rated' cable as it should comply with the wiring codes for your area.
- **Fuses** - The turbine and charging circuit should be protected with a suitably rated 'slow-blow' DC fuse or DC circuit breaker. Please refer to the table below for the correct rating. The fuse or breaker should be positioned between the turbine and batteries (on the positive cable). If a stop switch is used (recommended) the fuse should be positioned between the switch and the batteries.

<i>LE-600 Nominal Output Voltage</i>	<i>DC Fuse / DC Circuit Breaker Rating</i>
<i>12 V</i>	60 Amp
<i>24 V</i>	30 Amp
<i>48 V</i>	20 Amp

- **Run / Stop Switch** - A simple switch arrangement can provide a safe and easy way of stopping the turbine for maintenance. *Leading Edge Turbines* can supply a switch which is best for this purpose. As the switch is thrown, the batteries are disconnected and the turbine is 'shorted' reducing the rotor to a slow rotation. Refer to the generic wiring diagrams.

If the cables you are using don't easily fit into the run / stop switch terminals, the cable can be reduced to 4mm² before entering the run / stop switch. The cable can then be increased again to its previous size after the switch and this will have a negligible effect on volt drop.

- **Charge Controllers** - A Tristar 45A or 60A Diversion Charge Controller is recommended to manage the power output from the turbine to the batteries. The diversion charge controller operates by increasingly switching output to a dump load once the batteries begin to reach high voltages. The dump load consumes the 'excess' power from the turbine. This means that the turbine's power output is always utilised whether the batteries are fully charged or not. Larger capacity battery banks will be able to store more energy and so the dump load will be used less. Do not use a photovoltaic type charge controller with your LE-600 turbine.
- **'Hybrid' Systems** - The *LE-600 Turbine* can be used in parallel with PV panels. The PV panels must be wired independently with a separate charge controller specifically designed for use with PV panels and connected in parallel with the battery bank - see Fig-13.

Please refer to the following wiring diagrams as a guide.

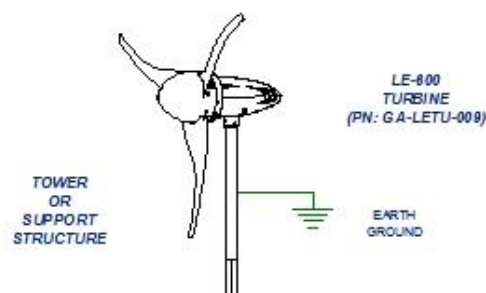


Fig-12: Typical 'Stand-Alone' Battery Charging Wiring Diagram

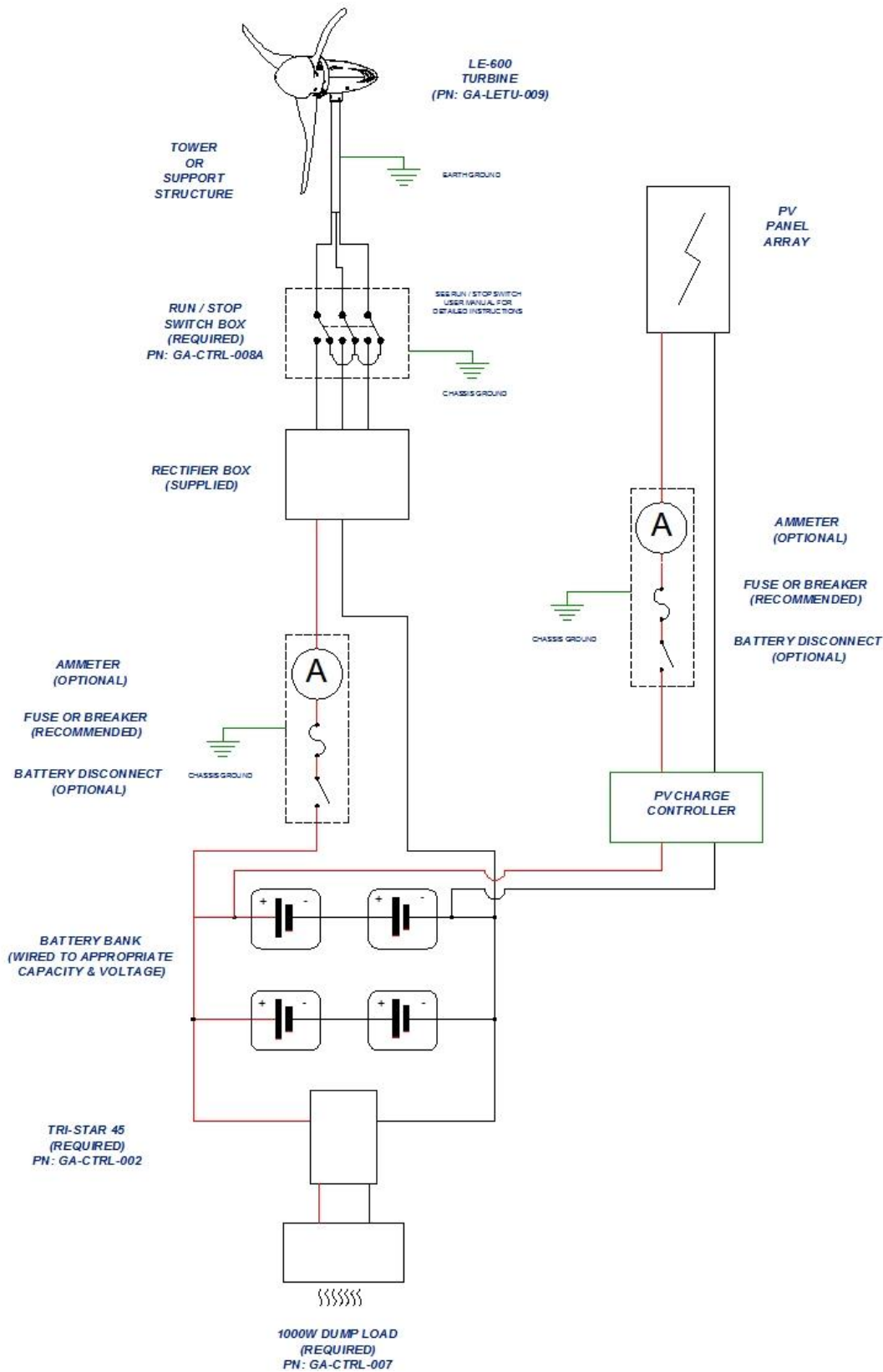


Fig-13: Typical 'Hybrid' Wind /PV System Wiring Diagram

Turbine Operation

The *LE-600 Turbine* is based on a simple design for ease of installation and reliable operation. You may notice the following behaviour during normal operation:

- **Cut-in** - The turbine will not begin to charge the batteries until the rotor is spinning at approximately 290 RPM. Whilst operating below this speed, the turbine will be 'off-load' and freewheeling. Once the turbine output voltage becomes equal to the nominal battery voltage (at around 290 RPM), the turbine will come 'on-load' and begin to deliver current to the batteries. During the off-load stages of rotation, the blades will rotate very freely. This allows the rotor to build up speed and allows aerodynamic lift to be generated by the blades.
- **Normal Operation** - Once the rotor is spinning more than 290 RPM, current will be delivered to the batteries. As the rotor speed increases, so too will the current and voltage. Excessive wind speed may increase the battery voltage to a high level. Once this happens the diversion charge controller will recognise that the battery voltage is too high and begin 'dumping' power to the heater module.
- **Charge Regulation** - Once the charge controller has switched over to the dump load, the turbine will no longer be charging the batteries. Instead the power from the turbine will be delivered to the dump load (usually a resistive heater element). The battery voltage will begin to drop to normal levels during the regulation period. Once the battery voltage is back within acceptable limits, the charge controller will switch the turbine output back to the batteries. Refer to the Charge Controller User Manual for specific operational instructions. This arrangement is more effective than stop/starting the turbine incessantly.
- **Shut Down** - *The run/stop switch should only be used to slow the unit prior to taking it down or tethering the turbine.* By activating the stop switch, the output from the cables of the turbine are 'shorted' together. This effectively puts an infinite load on the generator causing the turbine to stall. When the stop switch is activated, the turbine may still rotate slowly during high winds, but the rotor blades will not be able to build up any significant speed. It is not recommended that the stop switch is activated whilst the rotor is spinning at high speed. This sudden braking action will stress the blades and other components. Only activate the stop switch during a 'lull' when the rotor is not spinning excessively fast.

High winds - In certain high wind conditions, the rotor can overcome the electromagnetic braking, which allows high currents to be produced in the stator coils. If this situation occurs with the wind driving the braked alternator for prolonged periods, damage to the turbine will occur.

- **High Winds** - Every effort has been taken to ensure that the *LE-600* will withstand the forces exerted by strong winds. However, the raw power in high winds is immense and the stresses placed upon the turbine are magnified by gusty and turbulent conditions. Where possible the turbine should be shut down and tethered in advance of winds of 27m/s (60 MPH). This will decrease the wear and tear on the machine and will help to avoid a failure. Protect the turbine from extreme winds as you would protect other items of your property.

Note: Never allow the turbine to run off-load with no connection to a battery bank. Doing so will allow open-circuit voltages to be generated by the turbine. These voltages may be dangerous and may damage the stator coils within the turbine.

Maintenance

Please follow the preventive maintenance programme listed below. This will ensure that the turbine operates reliably and safely with good efficiency.

Always shut down the turbine before attempting to carry out maintenance.

Post-installation Checks (to be carried out one month after installation):

- Check that the tower mount pins are secure and have not worked loose. Adjust if required.
- Ensure that the rotor hub is still securely fitted.
- Ensure that the rotor blades rotate freely.
- Monitor the output. Ensure that the turbine and charge controller are functioning correctly.

Annual Maintenance:

- Inspect the tower / support structure.
- Remove the turbine from its installation to a suitable workbench.
- Remove the rotor blade assembly
- Inspect the edges of the rotor blades for damage such as dents or chips. The blades will become unbalanced if they are damaged. This will cause vibration, noise and poor performance. If many dents have occurred along the edges of the blades, a new set of rotor blades should be fitted (part numbers available in the Spares section).
- Inspect the roots of the blades (attachment tabs) for signs of stress cracking or fatigue. A new set of rotor blades should be fitted if any cracks or fractures have occurred (part numbers available in the Spares section).
- Remove any build-up of dirt and debris from the rotor blades using a mild detergent and warm water.
- Check the blade hub fixings for tightness.
- Carefully remove the yaw mount bracket by unscrewing the 4 connection screws from the sides of the LE-600 chassis. Inspect the slip rings and wipers for obvious signs of wear. Replace the wipers if required (part numbers available in the Spares section). Reassemble the yaw pivot carefully (do not pinch any cables).
- Check that all electrical connections are sound and free from corrosion.
- Generally ensure that the turbine is in good working condition and is safe for continued use.

After five years of normal operation:

- We recommend that the rotor bearings and rotor blades should be replaced after five years of continuous operation. This will ensure that the turbine's performance and safety are not compromised.

Other Considerations:

- The equipment used in the charging system (batteries, charge controller, PV panels, etc.) should be maintained according to the instructions published by the relevant manufacturer.
- Where lead-acid batteries are used, it is especially important that they are maintained carefully. Failure to do so will result in the batteries being rendered useless within a short period of time.

Spares

The following components may need to be replaced during the service life of your *LE-600* turbine. Please contact your nearest *Leading Edge Turbines' Dealer*, and quote the part numbers listed below.

Rotor Blade (qty 3 matched set):	DP-LETU-041G
Magnet Rotor	SA-LETU-003
Stator (12V, 24V, 48V):	SA-LETU-005
Nose Cone	DP-LETU-301
Yaw pivot & slip ring module:	SA-LETU-004
Rotor Bearings & Housing:	OS-117 & OS-116
Run / Stop Switch Box:	GA-CTRL-008A
Tristar 45A Charge controller:	GA-CTRL-002
Tristar 60A Charge controller:	GA-CTRL-003
1000W Dump Load (12V, 24V, 48V)	GA-CTRL-007

Warranty

Your *LE-600 Turbine* from Leading Edge Turbines (LET) carries a two-year warranty, as supported by a retailer's receipt. The warranty starts from the date of installation or ninety (90) days after shipment from the LET factory, whichever comes first.

LET will supply 'non-wearing' parts at no cost. For minor component failures, replacements may be sent directly to the customer / dealer for replacement by them. For more serious defects we may suggest a 'return-to-base' arrangement for replacement or repair.

In these cases, the purchaser will be responsible for taking the turbine off the tower/mast and paying the return carriage costs.

Where a turbine is to be replaced, it must be returned to LET before the replacement unit is despatched. Should the product prove to be irreparable, LET reserves the right to substitute an equivalent product, if available.

This warranty does not extend to servicing a faulty turbine on location.

In all cases LET will take reasonable action to ensure customer satisfaction. You should always receive a warm, courteous service in or out of your warranty period.

Your turbine must be installed and operated in accordance with the guide. Failure to do so will result in this warranty becoming null and void. Any unauthorised modifications to the turbine design will void the warranty and may compromise the safety of the machine.

What is not covered by your warranty?

- Damage caused by unsatisfactory installation of the turbine, tower and/or control equipment.
- Damage caused by the neglect of periodic maintenance in the manner recommended in the installation manual.
- Damage caused by repair or maintenance performed using methods not specified by LET or by non-authorised dealers of LET products.
- Damaged caused by the use of non-genuine parts, or from the use of liquid agents or lubricants in or on the turbine, tower or control equipment.
- Damage caused by operating the turbine in conditions outside of those specified in the Owner's Guide – including, but not limited to, allowing the turbine to run while disconnected from the batteries or not configuring the Tristar charge controller for diversion mode.
- Damage caused by modifications to the turbine, tower or control equipment not approved by LET.
- Damage caused to the turbine, tower and control equipment by improper storage or transport.
- Damage caused by lightning strikes, flooding, fire, etc.
- Damage due to high winds and storm conditions (17m/s+, 40 mph+).
- Damage caused by flying debris.
- Damage to batteries due to excessive deep discharge, short-circuiting, excessively high load, over charging, loss of electrolyte, or any condition outside of the manufacturer's specification for battery use.
- Damage occurring as a result of not operating the turbine at a safe distance from individuals or property.
- Damage caused by unsatisfactory tower / support structure design.

- Damage caused by incorrect connection to external electrical equipment, or failure to observe current regulations concerning connection to external electrical networks, equipment or any other devices.

If you should experience a problem with your turbine, your first 'port-of-call' should be the reseller or installer from whom you purchased the product. They should be able to resolve the problem quickly and efficiently. If you are unable to contact the original reseller, then please contact us directly.

Please quote the serial number of your turbine when dealing with warranty issues. The serial number can be found on the nameplate positioned on the underside of the chassis.

Disclaimer

- All specifications are subject to change without prior notice.
- The information given in this User Manual is believed to be accurate and reliable. *Leading Edge Turbines* assumes no responsibility for omissions or inaccuracies.
- The user of this information and product assumes full responsibility and risk.
- The *LE-600* turbine is a source of electrical power. It must be installed in accordance with local building and electrical regulations. Consult your local planning (zoning) office for details.
- The *LE-600* turbine has moving parts that may cause injury due to poor installation and unsafe operation. *Leading Edge Turbines* assumes no responsibility for problems caused by unsafe or unsatisfactory installation or operation.

Designed & Manufactured in the UK by:
Leading Edge Turbines Ltd
Skyrrid Farm,
Pontrilas,
Hereford.
HR2 0BW
Tel: +44 (0)1981 241668
www.leturbines.com



Compliant with
EN BS 61400-2: Safety of Small Wind Turbines

Appendix 1: Tristar 45/ 60 Diversion Charge Controller



Introduction

Please read this manual and the specific manual for the Morningstar Tristar Charge Controller before attempting to assemble, install or operate your Tristar Charge Controller. This will assure optimum performance and safety.

The Tristar Charge Controller and Dump Load is a 3rd party solution designed to prevent 12, 24 or 48V batteries from overcharging.

The Tristar Charge Controller and dump load operates like an electrical overflow for your batteries. As the turbine charges the batteries, the State of Charge (SOC) and battery voltage will rise. As the batteries become fully charged and are no longer able to accept any further electrical energy, the battery voltage will rise. At this point, the Tristar controller begins to bleed power into the dump load. This energy is then dissipated as heat into the surrounding environment. More or less power is diverted to the dump load according to how much is being supplied to the battery from the turbine.

Safety Precautions

Safety must always be your primary concern during the assembly, installation and operation of your turbine and charge controller. Always be aware of the risks involved with mechanical and electrical installation work. If in doubt about any issue regarding your turbine system, please seek further assistance before proceeding.

Mechanical Safety Hazards:

Whilst installing the charge controller or when performing routine inspection or maintenance, always stop the turbine by activating the stop switch.

Electrical Safety Hazards:

The Tristar controller and dump load operates with low voltage DC. Even at these low voltages there are inherent risks. Caution should always be used when connecting a turbine or charge controller to the electrical system.

Location – The Tristar controller and dump load should be mounted in an adequately ventilated area, which is not exposed to direct moisture or spray. The dump load elements become hot during normal operation and should not be covered or blocked.

The Dump load should not be mounted on a flammable surface due to the high temperatures that can be achieved by the dump load.

Ensure that you have followed the cable-sizing guidelines to ensure that the correct size of cable has been selected. If a cable of insufficient cross-sectional area is used at any point in the electrical system, heat will build up in the cables causing a potential fire hazard. A properly-sized fuse or circuit breaker should be used in the cables connected to the battery. This will stop the risk of short circuit currents.

Batteries used in renewable energy systems can deliver a serious amount of current. A short circuit in the battery circuit can lead to hundreds of Amps flowing through the battery cables. This will cause a heat build-up and ultimately an electrical fire. Batteries are also susceptible to explode when shorted. Always use insulated electrical tools when working on the battery's electrical connections.

Batteries are very heavy. Do not attempt to move batteries by yourself. Always use manual handling tools and an assistant.

Always keep lead-acid batteries the correct way up. Do not allow the acidic electrolyte to spill or come into contact with your skin. Always follow the manufacturer's safety instructions when handling lead-acid batteries.

Please use common sense when installing and operating your turbine and Charge Controller.

Electrical Installation

Please refer to the overall electrical schematic in the turbine installation for appropriate generic wiring diagrams. In a battery charging renewable energy system, there may be different ways of wiring small wind turbines, photovoltaic panels, charge controllers and batteries together. This type of system will often expand 'organically', but the following guidelines from the Tristar user manual should be followed:

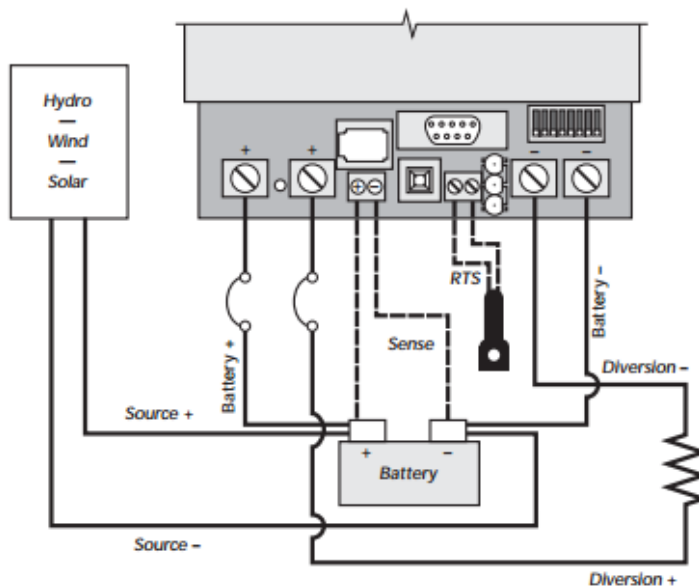


Figure 2.2c Installation Wiring for Diversion Charge Control

Step Diversion Charge Control

1. Remove the access cover
2. Mount the TriStar using the enclosed template.
3. Adjust the 8 switches in the DIP switch. Each switch must be in the correct position.
4. Attach the RTS if battery charging will be temperature compensated.
5. Connect battery voltage sense wires (recommended).
6. Connect the battery power wires to the TriStar. Then connect the diversion load wires.

Step Diversion Charge Control (continued)

7. Connect a computer to the TriStar if making adjustments with PC software.
8. Replace the cover.



NOTE: TriStar negative terminals are common negative.

Steps #4, #5, and #7 are optional.

2.3 Installation Steps

The TriStar controller must be installed properly and in accordance with the local and national electrical codes. It is also important that the installation be done safely, correctly and completely to realize all the benefits that the TriStar can provide for your solar system.

Refer to Sections 4.0 and 9.0 for information about the TriStar's standard battery charging programs and general charging needs for different battery types. Refer to Section 5.0 for load control information, and Section 6.0 for diversion.

Recommended tools:

- wire cutter
- phillips screwdrivers
- wire stripper
- torque wrench (to 50 in-lb)
- slotted screw drivers
- flashlight

Before starting the installation, review these safety notes:

- Do not exceed a battery voltage of 48V nominal (24 cells). Do not use a battery less than 12V (6 cells).
- Do not connect a solar input greater than a nominal 48V array for battery charging. Never exceed a Voc (open-circuit voltage) of 125V.
- Charge only 12, 24, or 48 volt lead-acid batteries when using the standard battery charging programs in the TriStar.
- Verify the nominal charging voltage is the same as the nominal battery voltage.
- Do not install a TriStar in a sealed compartment with batteries.
- Never open the TriStar access cover unless both the solar and battery power has been disconnected.
- Never allow the solar array to be connected to the TriStar with the battery disconnected. This can be a dangerous condition with high open-circuit solar voltages present at the terminals.

Follow the installation steps in order: #1 through #8

Step 1 - Remove the Cover

Remove the 4 screws in the front cover. Lift the cover until the top edge clears the heat sink, and set it aside. If an LCD meter display is attached to the cover, disconnect the RJ-11 connector at the meter for access.



CAUTION: Do not remove the cover if power is present at any of the terminals. Verify that all power sources to the controller are disconnected.



PRUDENCE : N'enlevez pas le couvercle en cas de tension à une des bornes. Vérifiez que toutes les sources d'alimentation au contrôleur sont déconnectées.

Step 2 - Mounting

Locate the TriStar on a wall protected from direct sun, high temperatures, and water. Do not install in a confined area where battery gasses can accumulate.



NOTE: When mounting the TriStar, make sure the air flow around the controller and heat sink is not obstructed. There should be open space above and below the heat sink, and at least 75 mm (3 inches) clearance around the heat sink to allow free air

flow for cooling.



REMARQUE : Lors du montage du TriStar, assurez-vous que l'écoulement d'air autour du contrôleur et du puits de chaleur n'est pas obstrué. Un espace doit se trouver au-dessus et en dessous du puits de chaleur et un dégagement de 75 mm (3 po) doit exister autour du puits de chaleur pour permettre l'écoulement de l'air à des fins de refroidissement.

Before starting the installation, place the TriStar on the wall where it will be mounted and determine where the wires will enter the controller (bottom, side, back). Remove the appropriate knockouts before mounting the controller. The knockouts are sized for 1 inch and 1.25 inch conduit.

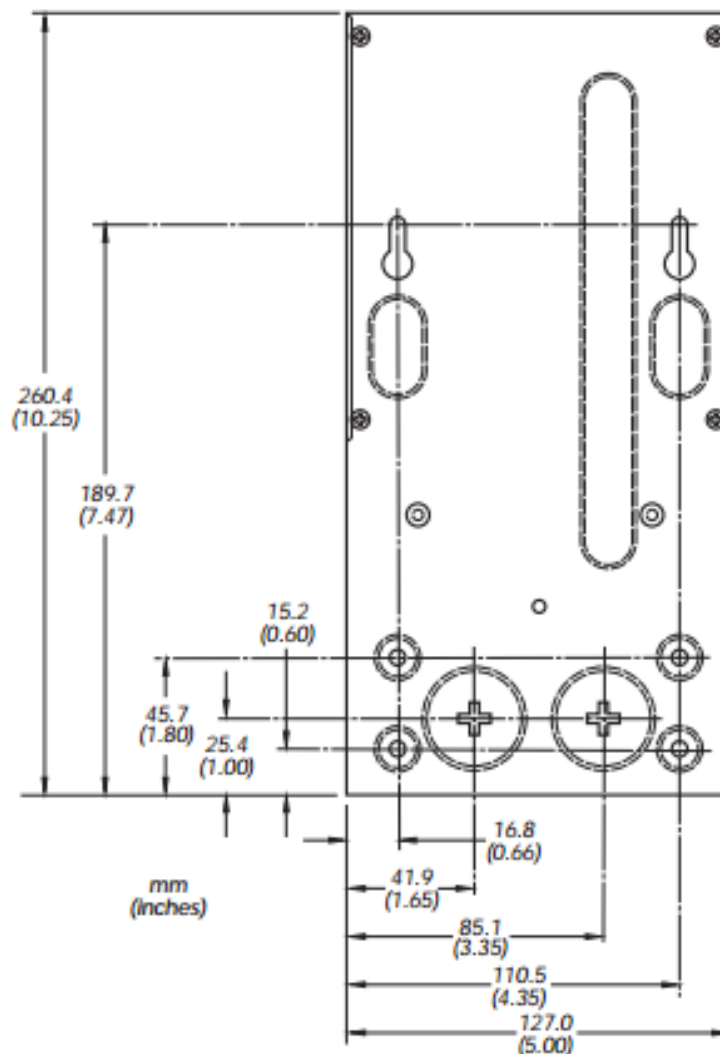


Figure 2.3 - Step 2 Mounting Dimensions

Step 2 - Mounting (continued)

Refer to Figure 2.3-2. Use the template provided in the shipping carton for locating the mounting holes and for stripping the wires. Use two of the #10 screws provided for the two keyhole slots. Leave the screw heads protruding enough to lock inside the keyhole slots (about 3.8 mm / 0.150 inch). Mount the controller and pull it down to lock the screws into the slots. Use the

remaining two screws to fasten the controller to the wall.

Provide for strain relief for the bottom knockouts if conduit will not be used.
Avoid excessive pulling forces on the terminals from the wires.

Step 3 - Adjust the DIP Switches

An 8-position DIP switch is used to set-up the controller for its intended use. All major functions can be set with the DIP switches. See Section 7.0 for additional custom settings using PC software.



NOTE: The DIP switches should be changed only when there is no power to the controller. Turn off disconnect switches and remove all power to the controller before changing a DIP switch. A fault will be indicated if a switch is changed while the controller is powered.

The Diversion Charge Control functions that can be adjusted with the DIP switches follow:

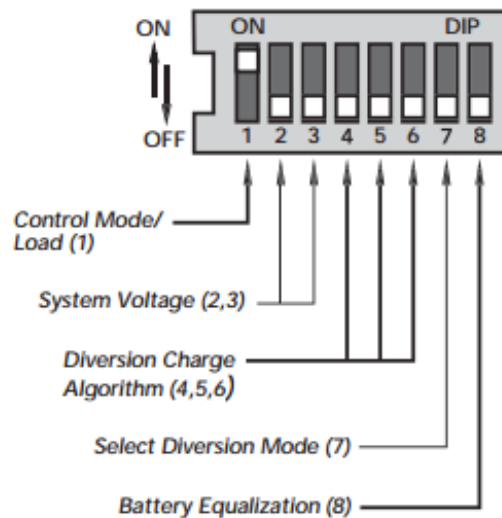






Figure 2.3 - Step 3 (Diversion) DIP Switch Functions

As shown in the diagram, all the positions are in the "OFF" position except switch number 1, which is in the "ON" position.

-  **NOTE:** The DIP switches should be changed only when there is no power to the controller. Turn off disconnect switches and remove all power to the controller before changing a DIP switch. A fault will be indicated if a switch is changed with the controller powered.

-  **REMARQUE :** Les commutateurs DIP ne doivent être changés que si le contrôleur est hors tension. Mettez les interrupteurs sur arrêt et mettez le contrôleur hors tension avant de changer un commutateur DIP. Une panne sera indiquée en cas de changement d'un commutateur quand le contrôleur est sous tension.

-  **CAUTION:** The TriStar is shipped with all the switches in the "OFF" position. Each switch position must be confirmed during installation. A wrong setting could cause damage to the battery or other system components.

-  **PRUDENCE :** Le TriStar est expédié avec tous les interrupteurs en position « ARRÊT ». La position de chaque interrupteur doit être confirmée pendant l'installation. Un mauvais réglage peut endommager la charge ou d'autres composants du système.

The DIP switch settings described below are Diversion Charge Control only.

The DIP switches are shipped in the OFF position. With switches 2-8 in the OFF position, the following functions are present:

Switch	Function
1	Must be "ON" (load control)
2, 3	Auto voltage select
4, 5, 6	Lowest battery charging voltage
7	Must turn "ON" to select Diversion
8	Manual Equalization

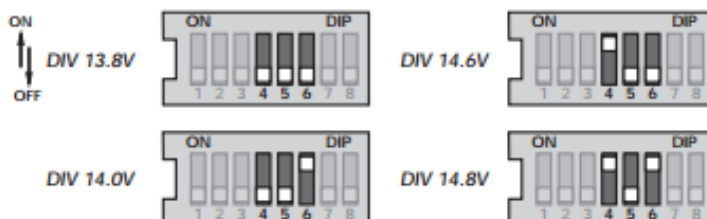
To configure your TriStar for the diversion battery charging and control you require follow the DIP switch adjustments described below. To change a switch from OFF ON, slide the switch up toward the top of the controller. Make sure each switch is fully in the ON or OFF position.

DIP Switch Number 1 - Control Mode: Solar Battery Charging

Control	Switch 1
Charging	Off
Load	On

DIP Switches Number 4,5,6 - Diversion Charge Control:

Battery Type	PWM	Switch 4	Switch 5	Switch 6
1	13.8	Off	Off	Off
2	14.0	Off	Off	On
3	14.2	Off	On	Off
4	14.4	Off	On	On
5	14.6	On	Off	Off
6	14.8	On	Off	On
7	15.0	On	On	Off
8	Custom	On	On	On



DIP Switch Number 7 - Select Diversion:

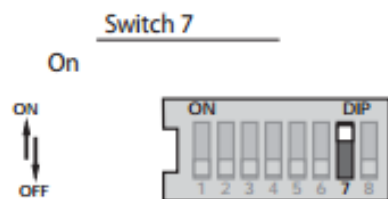
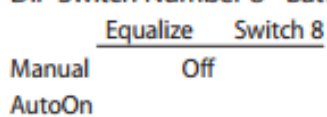


Figure 2.3 - Step 3 DIP Switch # 7

In the Diversion Charge Control mode, DIP switch #7 must be in the ON position. ■

DIP Switch Number 8 - Battery Equalization:



The TriStar's third mode of operation is diversion load battery charge control. As the battery becomes fully charged, the TriStar will divert excess current from the battery to a dedicated diversion load. This diversion load must be large enough to absorb all the excess energy, but not too large to cause a controller overload condition.

6.1 Diversion Charge Control

In the diversion mode, the TriStar will use PWM charging regulation to divert excess current to an external load. As the battery becomes fully charged, the FET switches are closed for longer periods of time to direct more current to the diversion load.

As the battery charges, the diversion duty cycle will increase. When fully charged, all the source energy will flow into the diversion load if there are no other loads. The generating source is typically a wind or hydro generator. Some solar systems also use diversion to heat water rather than open the solar array and lose the energy.

9.0 Battery Information

6.4 Selecting the Diversion Load

It is critical that the diversion load be sized correctly. If the load is too small, it cannot divert enough power from the source (wind, hydro, etc). The battery will continue charging and could be overcharged.

If the diversion load is too large, it will draw more current than the rating of the TriStar. The controller's overload protection may disconnect the diversion load, and this will result in all of the source current going to the battery.



CAUTION: The diversion load must be able to absorb the full power output of the source, but the load must never exceed the current rating of the TriStar controller. Otherwise, the battery can be overcharged and damaged.



PRUDENCE : La charge de diversion doit être capable d'absorber toute la puissance

draw. This peak load current must not exceed the TriStar's rating.



NOTE: Because the battery can supply any size load, the peak load current is not limited by the source (hydro or wind rating). The diversion load's power rating is the critical specification for reliable battery charging.



REMARQUE : La batterie pouvant fournir une charge de n'importe quelle dimension, le pic d'intensité de la charge n'est pas limité par la source (puissance hydro ou éolienne). La puissance nominale de la charge de diversion constitue la spécification critique pour une charge fiable de la batterie.

6.4.3 Load Power Ratings

The power rating of the diversion load will depend on the voltage of the battery being charged. If the heating element is not rated for the same voltage as the diversion system, the power rating of the load must be adjusted to the diversion system's voltage.

The manufacturers typically rate the heating elements for power at a specified voltage. The peak load current at the load's rated voltage will be the power divided by the rated voltage ($I = P / V$). For example:
 $2000W / 120V = 16.7$ amps of current.

If the load is being used at a voltage less than the load's rated voltage, the power can be calculated by the ratio of the voltages squared. For example, a 120 volt 1000 watt heating element being used at 60 volts:

$$1000W \times (60/120)^2 = 250 \text{ watts}$$

The 1000W element will only dissipate 250W when being used at 60 volts.



NOTE: The loads (heating elements) can be used at the manufacturer's voltage rating, or at a lower voltage. Do not use the load at a higher voltage than the load's rating.



REMARQUE : Les charges (éléments de chauffe) peuvent être utilisées à la tension nominale du fabricant ou à une tension inférieure. N'utilisez pas la charge à une tension supérieure à la tension nominale.

6.4.4 Maximum Diversion Load

The diversion load should never exceed the TriStar's current rating (45A or 60A). Note that the load is not limited by the source (wind, hydro), and will draw its rated current from the battery.

The following table specifies the absolute maximum diversion loads that can be used with each TriStar version. These loads (heating elements) are rated for the same voltage as the system voltage.

Nominal Voltage	TriStar-45	TriStar-60
48V	2700W at 60V	3600W at 60V
24V	1350W at 30V	1800W at 30V
12V	675W at 15V	900W at 15V

These maximum power ratings are translated to the equivalent at 120 volts in the following table. If using heating elements rated for 120 volts, the power ratings of all the elements can be simply added up and the sum compared with this table and no further math is required.

Nominal Voltage	TriStar-45	TriStar-60
48V	10,800W at 120V	14,400W at 120V
24V	21,600W at 120V	28,800W at 120V
12V	43,200W at 120V	57,600W at 120V

To illustrate the same point from the opposite perspective, a heating element rated for 120 volts will draw reduced load current as indicated by the following table. A standard 2,000 watt / 120 Vac heating element is used as the reference.

Voltage	Power	Current
120V	2000 W	16.7 A
60V (48V nominal)	500 W	8.3 A
30V (24V nominal)	125 W	4.2 A
15V (12V nominal)	31 W	2.1 A

Whether using dc rated loads (the first table) or 120V elements, the total diversion load current must not exceed the current rating of the TriStar.

6.4.5 Minimum Diversion Load

The diversion load must be large enough to divert all the current produced by the source (wind, hydro, etc.). This value is the maximum battery voltage times the maximum source current.

For example, if a hydro source can generate up to 30 amps of current in a nominal 48 volt system (60V maximum), the minimum diversion load size = $60V \times 30A = 1,800$ watts (for loads rated at 60 volts).

General Sizing Example

Consider a 24V system with a wind turbine that is rated to generate 35A of current. A TriStar-45 will not provide the 150% diversion load margin, and the TS-45 is only rated for 30A of source current. The TS-45 will not provide enough margin for wind gusts and overloads, so a TS-60 should be used.

The diversion load should be sized for 52.5A (150% of the source current) up to 60A (the rating of the TriStar-60). If 55A is selected for the diversion load, the load must be capable of diverting 55A at 30V (maximum battery voltage). If a 30V heating element is used, it would be rated for 1,650 watts (or from 1,575W to 1,800W per the load range noted above).

If a 2,000 watt / 120 volt heating element is used, 13 of these elements in parallel will be required for the diversion load (4.2 amps per element [Table in 6.4.4] $\times 13 = 54.6$ amps).

The minimum diversion load would be the source output (35A) times the voltage (30V). This would require a 1,050 watt heating element rated at 30 volts. Or if a 2,000W heater element rated for 120 volts is used, 9 heater elements will be required to draw the required minimum diversion load at 30 volts.

6.5 NEC Requirements

To comply with NEC 690.72 (B), the following requirements will apply when the TriStar is being used as a diversion charge controller in a photovoltaic system.

6.5.1 Second Independent Means

If the TriStar is the only means of regulating the battery charging in a diversion charging mode, then a second independent means to prevent overcharging the battery must be added to the system. The second means can be another TriStar, or a different means of regulating the charging.

6.5.2 150 Percent Rating

The current rating of the diversion load must be at least 150% of the TriStar source current rating. Refer to Section 6.2 (Diversion Current Rating). The maximum allowable current ratings for both TriStar versions are summarized below:

	Max. Input Current	Max. Diversion Load Rating
TS-45	30 A	45 A
TS-60	40 A	60 A



CAUTION: The NEC requirement that the diversion load must be sized at least 150% of the controller rating does NOT mean the diversion load can exceed the maximum current rating of the TriStar. NEVER size a diversion load that can draw more than the 45 amps or 60 amps maximum rating of the TriStar controllers.



PRUDENCE : L'obligation de la CNE indiquant que la charge de diversion doit être 150 % plus grande que la puissance nominale du contrôleur NE signifie PAS que la charge de diversion peut dépasser l'intensité maximum du TriStar. Ne dimensionnez JAMAIS une charge de diversion qui peut appeler plus de 45 A ou l'intensité maximum de 60 A des contrôleurs TriStar.

6.6 Additional Information

Visit Morningstar's website (www.morningstarcorp.com) for additional diversion charge control information. The website provides expanded technical support for more complex diversion load systems.

8.0 Self-Testing / Diagnostics

The TriStar performs a continuous self-test to monitor controller and system operation. Detected problems are classified as either faults or alarms. Typically, faults are problems that stop the normal operation of the controller and require immediate attention. Alarms indicate an abnormal condition, but will not stop the controller's operation.

If a problem is detected, the TriStar will alert the user to an existing fault or alarm. In this situation, the LED indicators will flash a particular sequence. Section 3.3 references these sequences with their associated faults and alarms. Flashing LED sequences can indicate conditions ranging from a simple battery service reminder to an existing short circuit in the system. It is recommended that the user become familiar with the LED indications and their meanings.

If a TriStar meter option has been added, more detailed information concerning faults and alarms will be available. Menus provide text displays of the specific fault as well as indicating on the standard display screens when a problem exists. Consult the meter manual for further details.

General Troubleshooting

TriStar is not powering up

- Confirm that all circuit breakers and switches in the system are closed
- Check all fuses
- Check for loose wiring connections and wiring continuity
- Verify that the battery voltage is not below 9Vdc (brownout: section 3.4)
- Verify that the battery power connection is not reversed polarity

Flashing/Sequencing LEDs

- Reference Section 3.3 for a list of LED indications and their corresponding faults/alarms

Self-Test Indication (R - Y - G sequencing)

- Self-testing will also detect various system wiring faults outside the TriStar
- Check for both TriStar faults and external system wiring problems

The RTS or Battery Sense is not working properly

- R/Y - G/Y sequencing LEDs indicates an RTS or Sense fault
- Check for a reverse polarity connection on the sense leads
- Verify that the RTS and Sense connections are wired to the correct terminals
- Check for shorts and continuity in the cables
- Verify that good electrical contact is made at the terminals
- Note that if the TriStar is restarted with an RTS or Sense fault present, it will not detect the RTS or Sense connection and the LED indication will stop

Troubleshooting Diversion Control

- Diversion load is too small so PWM reaches 99%
- Diversion load is burned out so PWM reaches 99%
- Diversion load is too large so TriStar faults on overcurrent
- An overtemperature condition may have caused the load to be disconnected
- The RTS is not correcting for high or low temperatures
- Voltage drops between the TriStar and battery are too high

Appendix 2: Run / Stop Switch User Manual



Only operate in light winds

Introduction

Please read this manual thoroughly before attempting to assemble, install or operate your Universal Run / Stop Switch. This will assure optimum performance and safety.

The Universal Run / Stop Switch is a solution designed to allow the user to brake dynamically an LE-600 at will. This is achieved by disconnecting the power output of the turbine from the relevant load and diverting it to a short circuit which then applies the dynamic braking effect on the permanent magnet alternator of the turbine. This will bring the turbine to a near stop for maintenance only.

The Universal Run / Stop Switch can be used with turbines of different manufacture as long as the relevant turbine has the following characteristics:

3-Phase Wild AC not exceeding 500 V & 16 A
Wild DC not exceeding 150 V & 10 A
Mechanically and electrically capable of dynamic braking

Operation & Specification

The Universal Run / Stop Switch should be operated during low speeds as repeated use at high speeds may cause damage if the turbine head (it was not designed to withstand repeated dynamic braking operations).

The switch has 2 positions:

Position 1: Turbine 'Stop' position. The turbine is dynamically braked and may be seen to rotate very slowly.

Position 2: Turbine 'Run' position. The turbine output is allowed to flow straight through the switch to the relevant output.

Safety Precautions

Safety must always be your primary concern during the assembly, installation and operation of your turbine and other associated equipment. Always be aware of the risks involved with mechanical and electrical installation work. If in doubt about any issue regarding your turbine system, please seek further assistance before proceeding.

Mechanical Safety Hazards:

Whilst installing the Universal Run / Stop Switch, ensure that the turbine is suitable restrained and not allowed to operate during the installation.

Electrical Safety Hazards:

The LE-600 generates rectified DC voltage and the Universal Run / Stop Switch also operates at these voltages. Even at these low voltages there are inherent risks. Caution should always be used when connecting LE-600 or other equipment to the electrical system.

The LE-600 can generate high voltage AC, and the Universal Run / Stop Switch also operates at these voltages. Such voltages bring with them significant risks.

Ensure that you have followed the cable-sizing guidelines in order to select the correct size of cable. If a cable of insufficient cross-sectional area is used at any point in the electrical system, heat will build up in the cables causing a potential fire hazard. A properly-sized fuse or circuit breaker should be used in the cables connected to the battery. This will stop the risk of short circuit currents.

Batteries used in renewable energy systems can deliver a serious amount of current. A shorting of the battery circuit can lead to hundreds of amps flowing through the battery cables. This will cause a heat build-up and ultimately an electrical fire. Batteries are also susceptible to explode when shorted. Always use insulated electrical tools when working on the battery's electrical connections.

Batteries are very heavy. Do not attempt to move batteries by yourself. Always use manual handling tools and an assistant. Always keep lead-acid batteries the correct way up. Do not allow the acidic electrolyte to spill or come into contact with your skin or face. Always follow the manufacturer's safety instructions when handling lead-acid batteries.

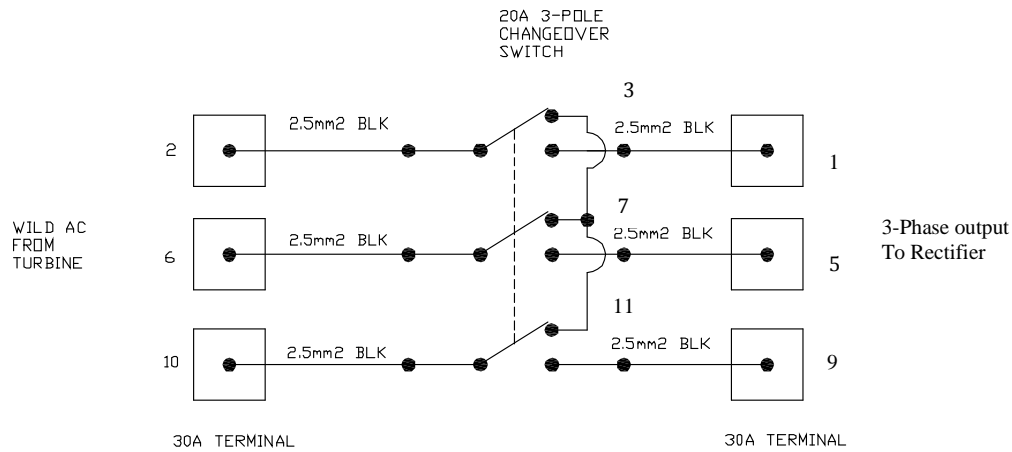
Ensure that the Universal Run / Stop switch is correctly wired as per these instructions and wiring schematics. Incorrect wiring may lead to a short circuit being placed across the batteries which can lead to fire or explosion.

Please use common sense when installing and operating your turbine and associated equipment.
Installation

Please refer to electrical schematic for appropriate generic wiring diagrams.

The Universal Run / Stop Switch can either be mounted in the enclosure box (supplied), which, in turn, can be mounted on an internal panel, or the switch can be integrated into an existing panel. If the unit is to be integrated into an existing panel, a suitable cut-out, as detailed on the wiring diagram will need to be made.

Switch Wiring for LE-600 Turbine – please ensure all 12 screw terminals of the switch are screwed closed before finally placing the top cover on the switch:



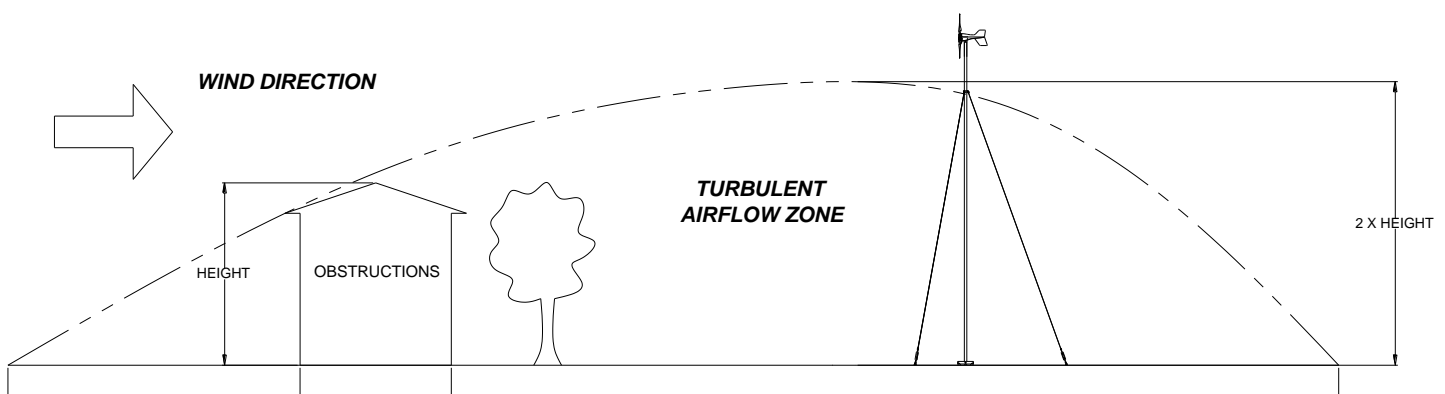
Appendix 3: Turbine Site Selection

The turbine location is a very important factor in the overall performance of your small wind turbine system. Good site selection will maximise the power that your turbine will be able to deliver. Installing a wind turbine in a bad position is similar to installing a solar panel system in the shade – it will not maximise the performance of your investment.

The total amount of energy available in the wind increases drastically with small increases in wind speed. Therefore it is very important that you site your turbine in the best possible location.

The proposed installation site for your wind turbine must have a good average wind speed of a minimum of 4.0m/s (9mph) and low wind turbulence. Wind turbulence is caused by obstructions to the wind such as trees and buildings. Excessive turbulence will hamper the performance of your turbine. Small wind turbines operate best in steady airflows. Free flowing airstreams are more consistent in direction and wind speed which results in more overall power being generated by the wind turbine system. Gusty conditions often result in a turbine ‘hunting’ the wind reducing the amount of overall power generated. Gusty and turbulent conditions also exert fluctuating forces upon the turbine that can reduce the reliability and lifespan of the system.

Wind shadowing and barriers: Wind barriers are simply obstacles that impede the flow of the wind (such as trees and buildings). A large ‘wake’ of turbulent airflow will occur for a long distance downwind of a barrier. It is not desirable to locate a turbine in this zone.



Topography: For areas of undulating ground, the turbine should be installed in the highest possible position avoiding wind barriers and turbulence. For areas that are generally flat, the turbine can be installed in any position. Remember that the LE-600 has a low voltage output, so it is important to keep the cable run to the batteries / inverter as short as possible.

Surface roughness of the ground: Long grass, crops or bushes will have the effect of slowing the wind down (even at the height of the tower). Try to install your turbine where the ground is smooth to increase the overall power production of the system.

Contact Us
Leading Edge Turbines Ltd
Skyrrid Farm
Pontrilas
Hereford
HR2 0BW
UK

Tel: +44 (0)1981 241 668
info@leturbines.com
www.leturbines.com

Your Local Distributor